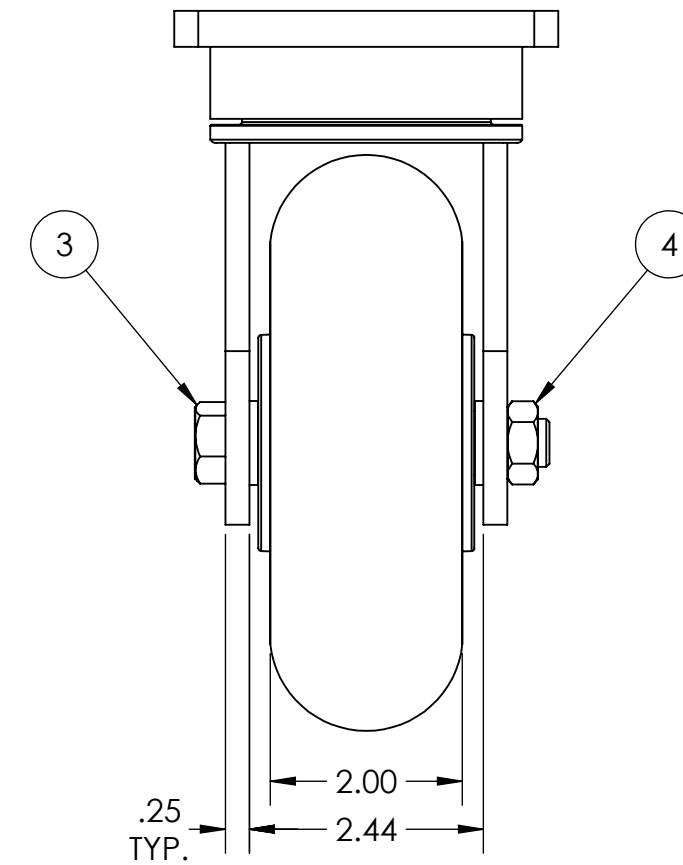
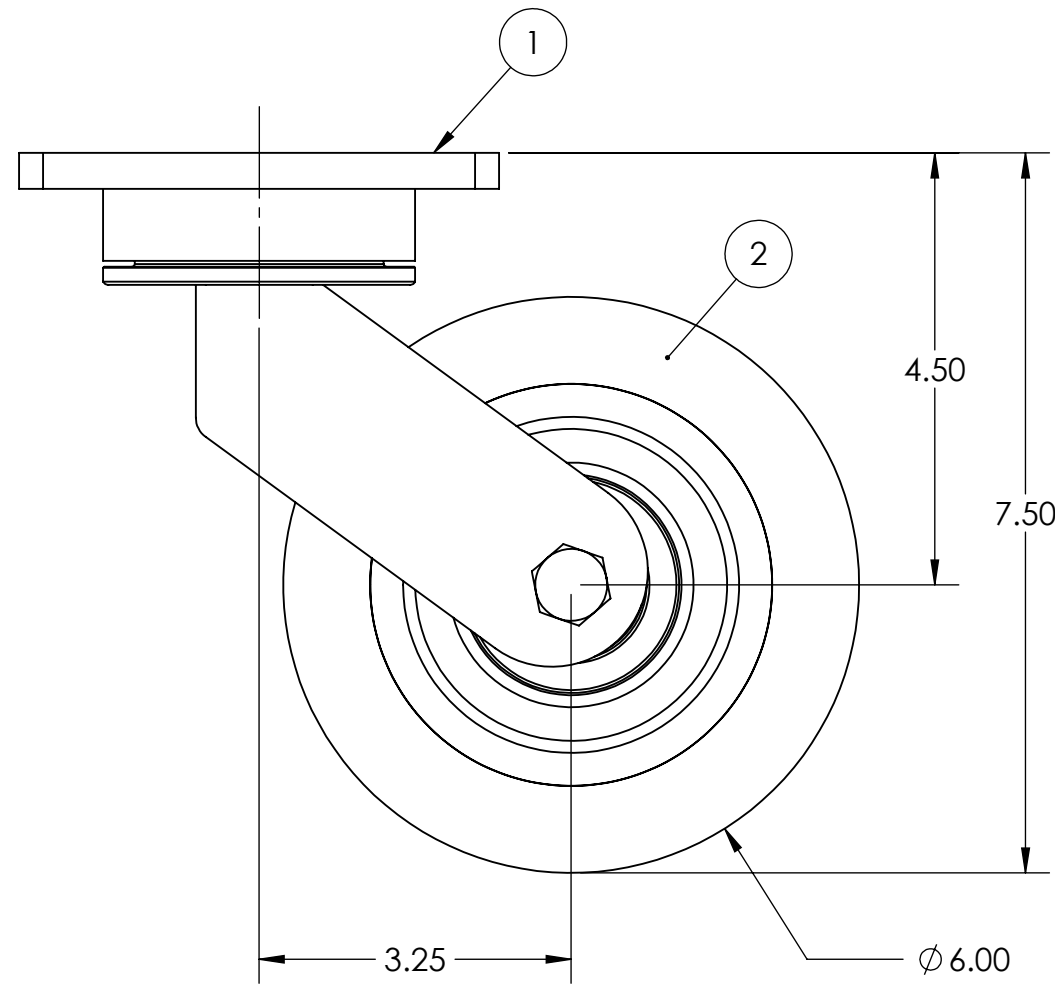


ITEM NO.	QTY.	PART/DRAWING NO.	DESCRIPTION	MATERIAL
1	1	55EXT-06200-00-1	55 SER 6.00 X 2.00 EXT. LEAD SWL. RIG	MISC.
2	1	06202-43-08	Ø6.00 X 2.00 ET-85 BALLOON TREAD POLY WHEEL	MISC.
3	1	AX085400	1/2-20 X 3-3/8 SOLID AXLE ZINC	AISI 1038
4	1	LN08200	1/2-20 TOP LOCK NUT	AISI 1038



CASTER CONCEPTS, INC. 16000 E. MICHIGAN AVE. ALBION, MI 49224 (517)629-8838 casterconcepts.com	TOLERANCE SPECS.	UNLESS OTHERWISE SPECIFIED THE FOLLOWING TOLERANCES APPLY: .XX = ±.030 .XXX = ±.010 X* = ±1.0° PART TO BE FREE OF BURRS AND SHARP EDGES	DESCRIPTION:	55 SER. EXT. LEAD 6.00 X 2.00 SWL CASTER		
	WHERE USED:	FINISH SPECS.	PART / DRAWING NO.:	55EXT-06202-43-1	DATE:	5/4/2020
CHECKED BY:	PRAVEEN K.	MATERIAL SPECS.	ZINC PLATING ON RIG	APPROVED BY:	DRAWN BY:	ARUN S.
			SCALE:	1:2	B-SIZE	THIRD ANGLE

NOTICE: THIS DRAWING AND DESIGN INFORMATION CONTAINED HEREIN SHALL REMAIN THE SOLE PROPERTY OF CASTER CONCEPTS INC. IT IS SUBMITTED FOR USE IN REFERENCE ONLY AND SHALL NOT BE DUPLICATED OR GIVEN TO A THIRD PARTY WITHOUT THE WRITTEN CONSENT OF CASTER CONCEPTS INC. THIS DRAWING MUST BE RETURNED TO CASTER CONCEPTS INC. UPON REQUEST AT ANY TIME. ACCEPTANCE OF THIS DRAWING SHALL BE CONSTRUED AS AN AGREEMENT OF THESE TERMS.