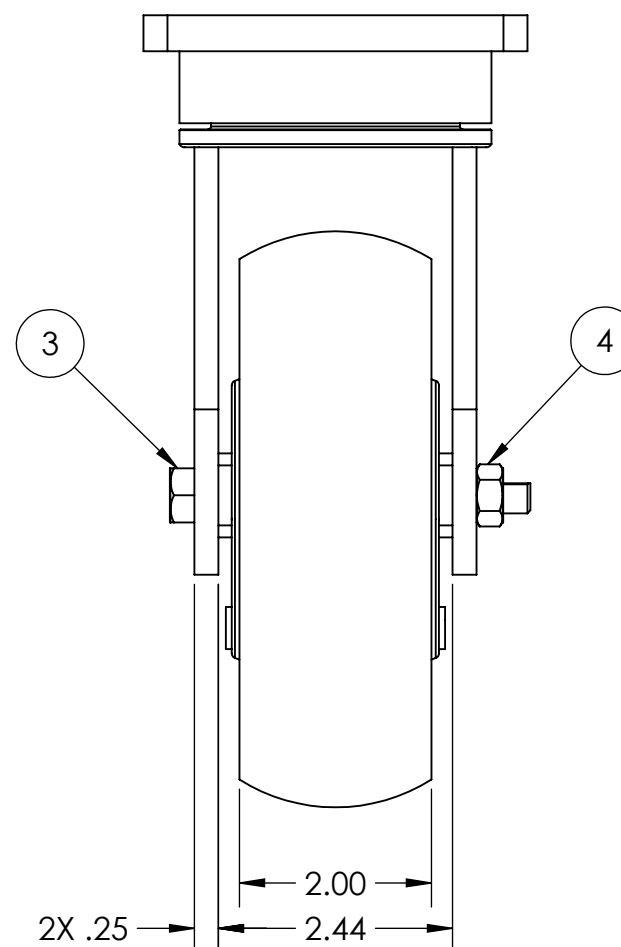
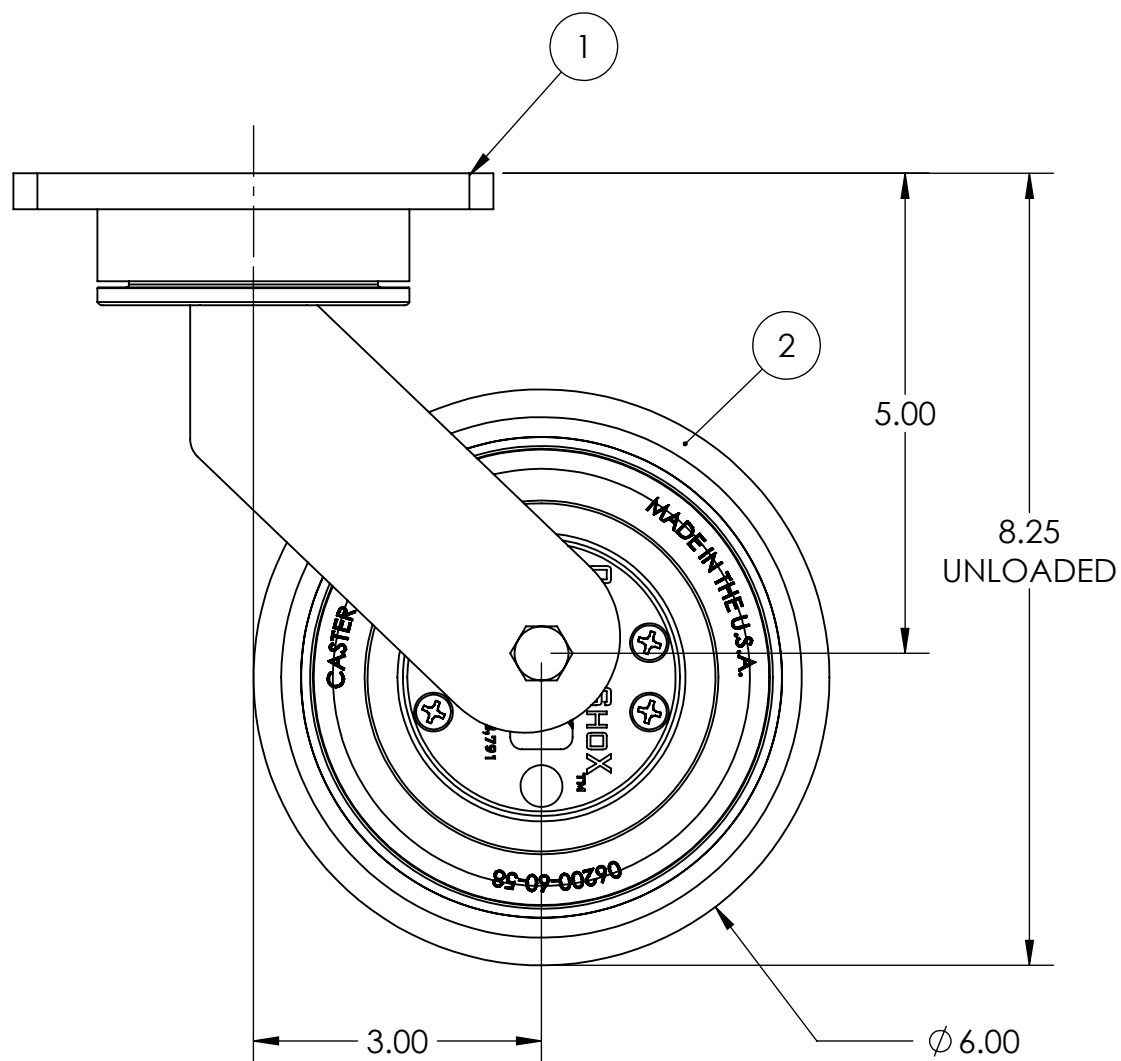


ITEM NO.	QTY.	PART/DRAWING NO.	DESCRIPTION	MATERIAL
1	1	55-06200-00-1X	55 SER. 6.00 X 2.00 CASTERSHOX SWL. RIG	MISC.
2	1	06202-42-06XD9	Ø6.00 X 2.00 CASTERSHOX WHEEL	MISC.
3	1	SPD05053101L	AX065600SP	AISI 1038
4	1	LN061606	3/8-16 LOCKNUT	AISI 1038



CASTER CONCEPTS, INC. 16000 E. MICHIGAN AVE. ALBION, MI 49224 (517)629-8838 casterconcepts.com	TOLERANCE SPECS.	UNLESS OTHERWISE SPECIFIED THE FOLLOWING TOLERANCES APPLY: .XX = ±.030 .XXX = ±.010 X* = ±1.0* PART TO BE FREE OF BURRS AND SHARP EDGES	DESCRIPTION:	55 SER. 6.00 X 2.00 SWL. CASTERSHOX CASTER		
	WHERE USED:	FINISH SPECS.	PART / DRAWING NO.:	55-06202-42-1XD9	DATE:	12/20/2024
CHECKED BY: TARUN B.	MATERIAL SPECS.	ZINC PLATING ON RIG, GRAY PAINT ON WHEEL CORE	SCALE:	1:2	B-SIZE	THIRD ANGLE
		APPROVED BY:	DRAWN BY:	BRIJMOHAN		

NOTICE: THIS DRAWING AND DESIGN INFORMATION CONTAINED HEREIN SHALL REMAIN THE SOLE PROPERTY OF CASTER CONCEPTS INC. IT IS SUBMITTED FOR USE IN REFERENCE ONLY AND SHALL NOT BE DUPLICATED OR GIVEN TO A THIRD PARTY WITHOUT THE WRITTEN CONSENT OF CASTER CONCEPTS INC. THIS DRAWING MUST BE RETURNED TO CASTER CONCEPTS INC. UPON REQUEST AT ANY TIME. ACCEPTANCE OF THIS DRAWING SHALL BE CONSTRUED AS AN AGREEMENT OF THESE TERMS.